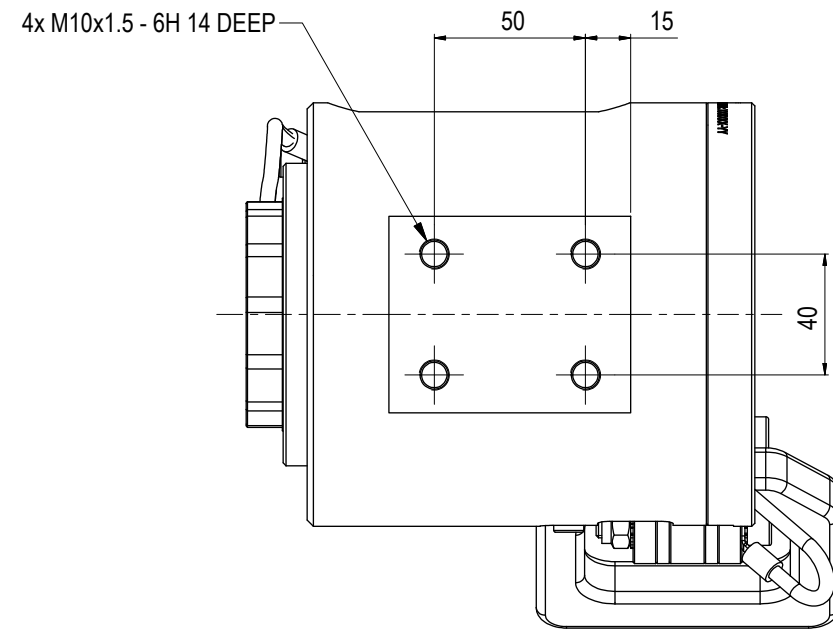
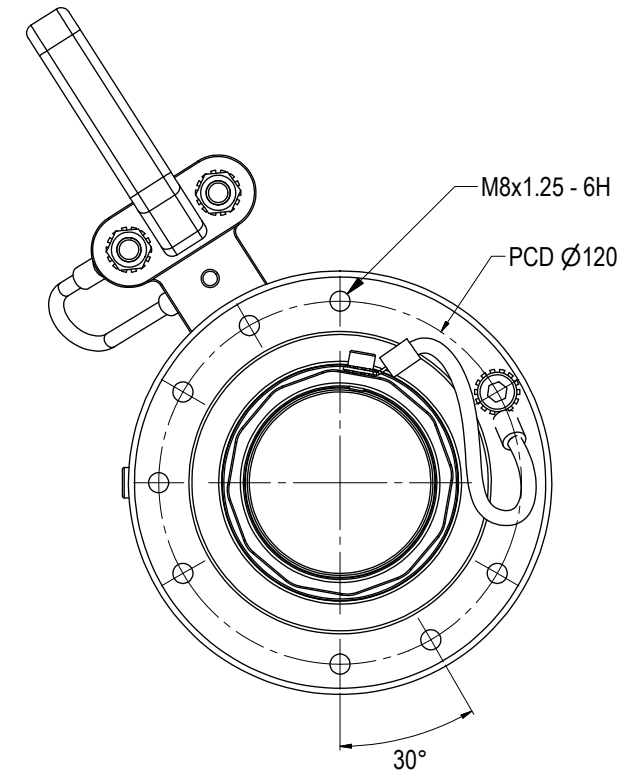
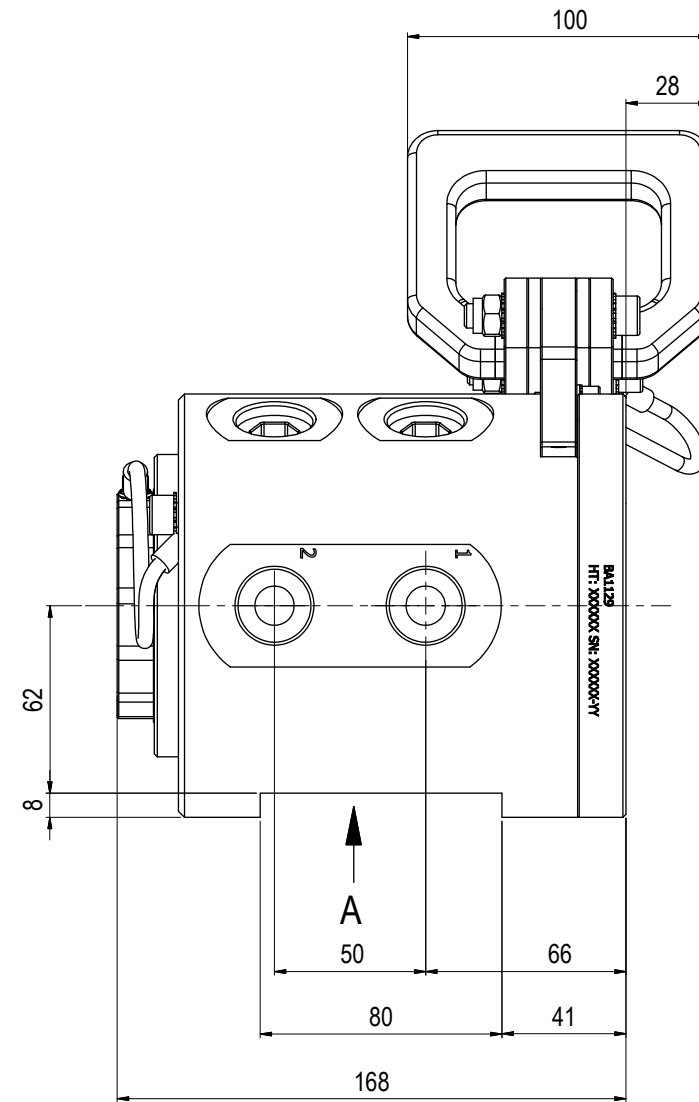
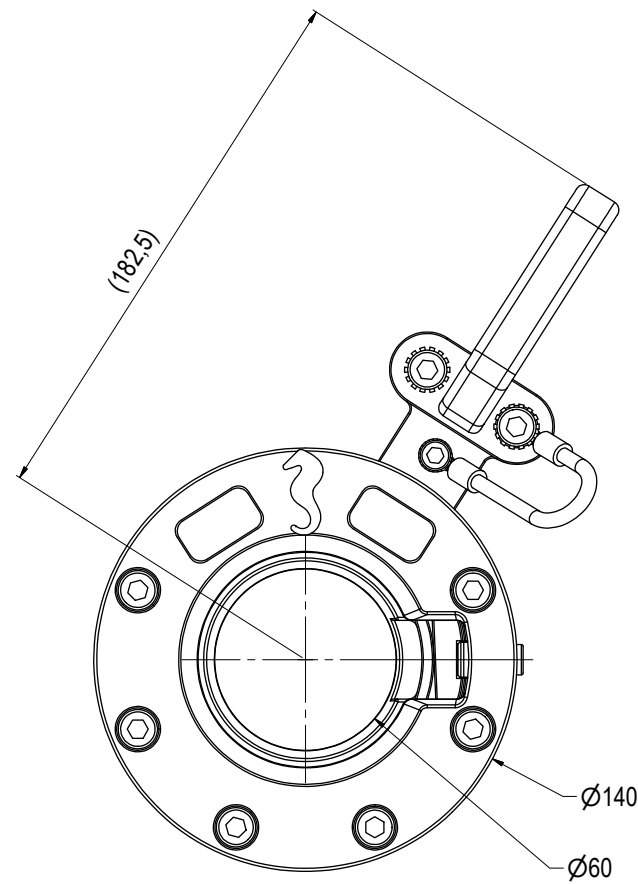


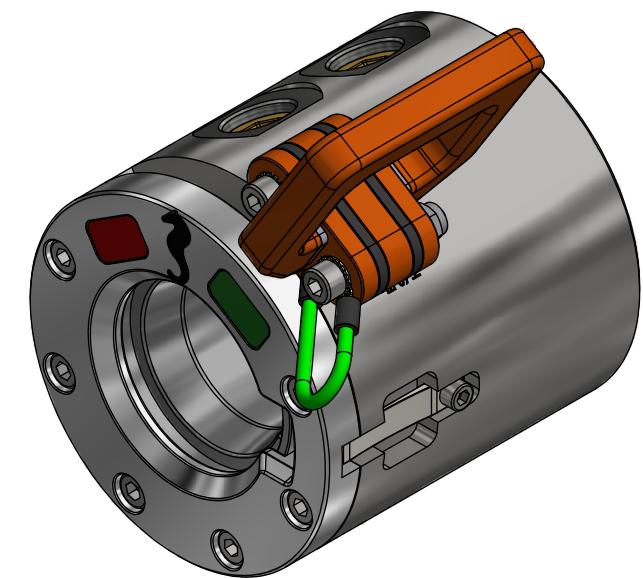
NOTE: 1
 DESIGN CODE:
 N/A

NOTE: 2
 TECHNICAL CLASSIFICATION:
 Article Type: 003-Valve Stabs
 Main Group: 3.04. Ø60-Valvestab
 Intermediate Group: 3.34.02. Receptacle
 Sub Group: 3.34.75.2. Dual

NOTE: 3
 INTERFACE INFORMATION:
 Pressure Rating Bar: 345
 Material: Long-term
 Weight: 14,6 kg
 Volume: 1,88 dm³
 Surface Area: 3634 cm²
 Hydraulic: 3/4" BSP
 Mechanical: N/A
 Electrical: N/A
 Com. & Protocol: N/A



VIEW A



12	4.12.2024	9-IFU (Issued for Use)		HNJ	TAN	HNJ
11	29.5.2024	9-IFU (Issued for Use)		WTJ	HNJ	WTJ
10	16.7.2021	9-IFU (Issued for Use)		WTJ	LGH	WTJ
09	31.1.2019	9-IFU (Issued for Use)		WTJ	LGH	WTJ
Rev.	Date	Reason for issue	Revision change	Made	Chk'd	Appr.



Dwg Scale:
 NTS
 Dwg Proj:
 Dwg Format:
 A3

Drawing title:
 Ø60 DP VStab Rec 5k Long-term Man BSP 3/4"

Drawing number:
 BA1738

Rev
 12